



SEA ROGUE

R-200-12.7 REMOTELY OPERATED GUN AND OBSERVATION SYSTEM

SeaRogue is a product line of remotely controlled weapon systems developed for use on Naval Vessels ranging from coast guard patrol boats to Corvettes and Cruisers. Featuring calibres from 7,62mm to 30mm and technology such as automated target tracking, stabilised aiming, range finding, thermal vision and more, built into a low maintenance and low cost platform, ready for integration into modern Combat Management Systems.

ERAF

شركة إيراف الصناعية المحدودة
ERAF Industrial Company Ltd.

Specifications are subject to change without notice. Consult manufacturer for latest specifications. All manufacturing rights reserved. This document is for information only and shall not form part of any contract.

SPECIFICATIONS

FEATURES

- Remote operation by bridge personnel
- Automated optical target tracking
- Fibre optic gyro-stabilised aiming
- Night & day operation, Uncooled IR Sight
- Fire control software
- Low maintenance, ease of operation

ARMAMENT

- 12.7mm HMG cannon
- 7.62mm GPMG (optional)
- 40mm AGL (Optional)

GUN CONTROL

- Traverse coverage: $\pm 170^\circ$. (Option nx360 $^\circ$)
- Elevation: -20° to $+70^\circ$. (Mount dependent)
- Programmable no-go & no-fire zones
- Slew rates: up to 1 rad/s ($\approx 60^\circ$ /s)
- Low speed: < 0.5 mrad/s ($\approx 0.028^\circ$ /s)
- Manually operable

INTERFACE & POWER REQUIREMENTS

- Integration with CMS (optional)
- Video recording (optional)
- Multi-function display with software defined keys:
 - Mode selection and display
 - Burst length display
 - Armed or safe display
 - Round count display
 - Error messages
 - Gun position indicator
- Handcontroller keys:
 - System on/off switch and indicator
 - Armed/safe switch and indicator
 - Trigger
- 440V AC 50/60Hz 3-Phase (500VA)
- 220V AC 50/60Hz Single Phase (500VA)
- 24V DC 5A Continuous (25A peak)
- Battery backup

OBSERVATION/SIGHTING

- Day Sight : CCD 2x FOV
- Night sight: 2x FOV thermal – uncooled/cooled
- Laser range finder (LRF)

DIMENSIONS

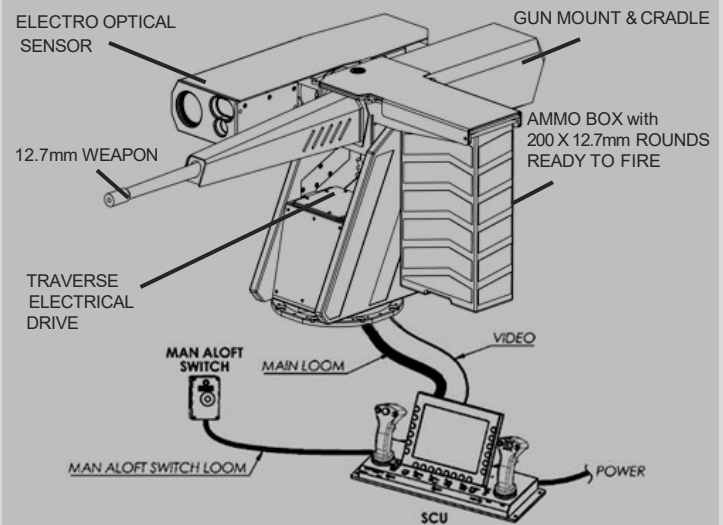
- External mount: 200kg (including 12.7mm weapon & ammunition)
- Display & hand controller: 10kg
- Length : 1687mm @ horizontal elevation
- Height : 642mm @ horizontal elevation

AMMUNITION

- 200 Rounds (12.7mm)
- 300 Rounds (12.7mm) (optional)
- 400 Rounds (7.62mm) (optional)

ILLUSTRATIONS

SYSTEM DIAGRAM



SYSTEM SIZE

